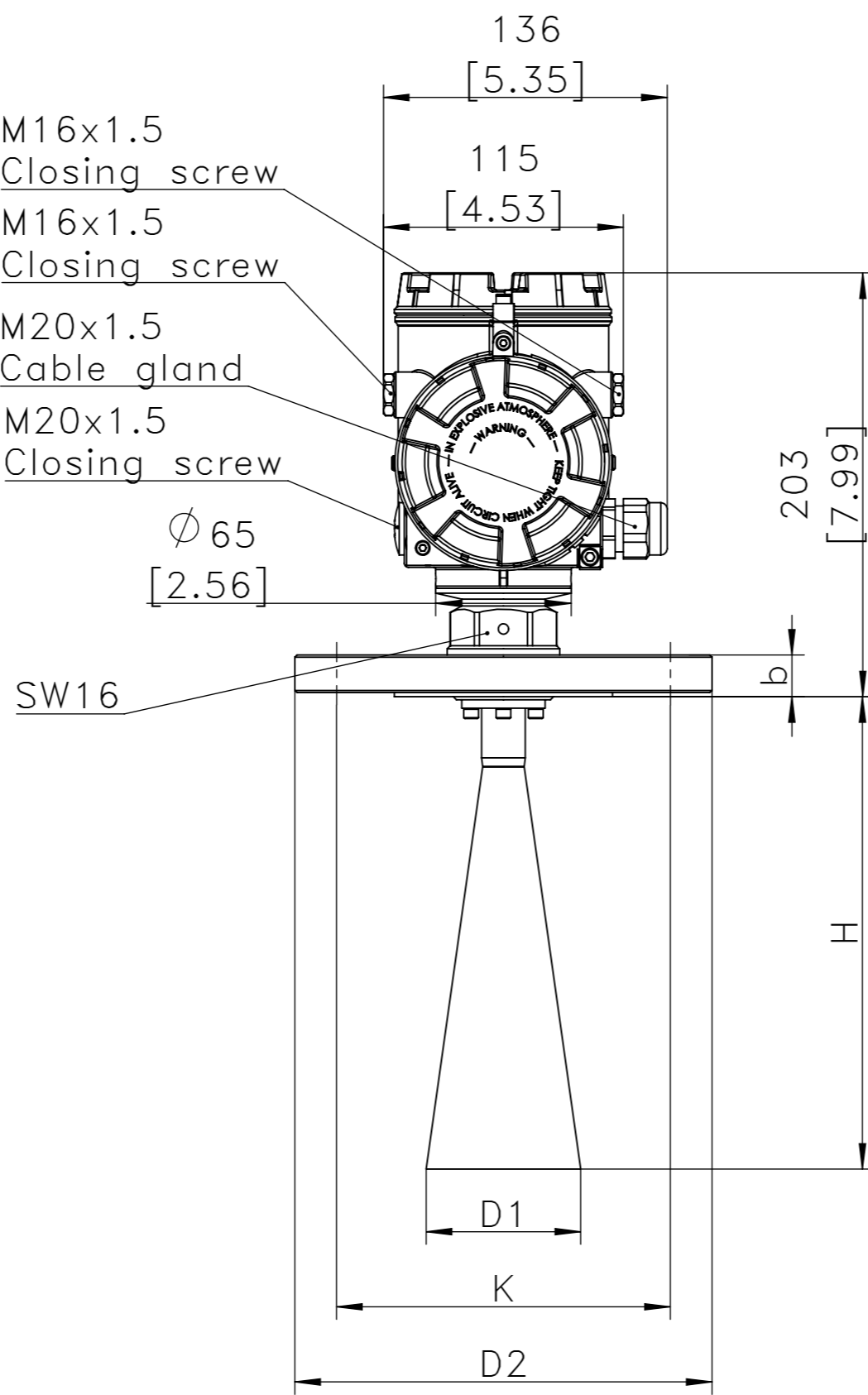
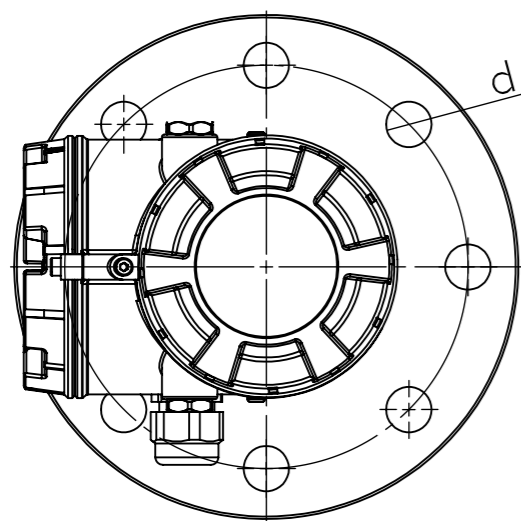


- M16x1.5 Closing screw
- M16x1.5 Closing screw
- M20x1.5 Cable gland
- M20x1.5 Closing screw



FLANGE					
ASME B 16.5	D2	b	K	d	
ASME 2" 150 RF	ø152.4	19.1	ø120.7	4Xø19.1	
ASME 3" 150 RF	ø190.5	23.9	ø152.4	4Xø19.1	
ASME 4" 150 RF	ø228.6	23.9	ø190.5	8Xø19.1	
ASME 6" 150 RF	ø279.4	25.4	ø241.3	8Xø22.4	
ASME 8" 150 RF	ø342.9	28.4	ø298.5	8Xø22.4	
ASME 10"150 RF	ø406.4	30.2	ø362	12Xø25.4	
ASME 12"150 RF	ø482.6	31.8	ø431.8	12Xø25.4	
DIN 2501/EN1092-1					
DN50 PN16/40	ø165	20	ø165	4Xø18	
DN80 PN16/40	ø200	24	ø165	8Xø18	
DN100 PN16	ø220	20	ø165	8Xø18	
DN150 PN16	ø285	22	ø165	8Xø22	
DN200 PN16	ø340	24	ø165	12Xø22	
DN250 PN16	ø405	26	ø165	12Xø26	
DN300 PN16	ø460	28	ø165	12Xø26	
JIS B 2220					
DN50 10K RF	ø155	16	ø120	4Xø19	
DN80 10K RF	ø185	18	ø150	8Xø19	
DN100 10K RF	ø210	18	ø175	8Xø19	
DN150 10K RF	ø280	22	ø240	8Xø23	
DN200 10K RF	ø330	22	ø290	12Xø23	
DN250 10K RF	ø400	24	ø355	12Xø25	

Antenna type	D1	H
DN50	48	126
DN80	78	228
DN100	98	288
DN100(lengthen)	98	473
DN125	123	621



NUM	DETAILS	DATE	CHECKED
03	CHANGE FINISH	24.12.2009	S.LYCETT
02	ADD EXTRA HOLES CHANGE RHS SIZE	21.11.2009	S.LYCETT
01	LENGTH 220MM WAS 203MM,SEE QY.-NO.0056	15.11.2009	S.LYCETT

UNLESS SPECIFIED OTHERWISE		DRAWN	S.LYCETT	04.11.2009	ROCKHILL AUTOMATION, INC. www.rockhill.ca
PRIMARY UNITS	MILLI METERS	CHECKED	R. SMITH	05.11.2009	
SECONDARY	INCHES	M.E. APP'D	S.SEME	15.11.2009	ROHEVEL-PRT3206 Drawing
REFERENCE IN PARENTHESES		Q.A. APP'D	G.BUSH	16.11.2009	
GENERAL TOLERANCES		DWG APPR.	A.GREEN	04.11.2009	
1 DECIMAL PLACE	±0.15	ENG. REL. NO.			
2 DECIMAL PLACES	±0.15	REF.			DWG. NO.
3 DECIMAL PLACES	±0.15	THIRD ANGLE PROJECTION			0802-0100-01MMD180415110
ANGULAR DEGREES		DO NOT SCALE DRAWING			CODE ID NO. 03554 DWG SIZE: C SCALE: 1:3 SHEET 1 OF 1